

# SBM 400

Complete system for drilling holes up to 7 ft (2.10 m) with the 400 SP

Includes electric/hydraulic power pack with remote control station

Infinitely variable speed and constant torque allow adjustment for specific drilling conditions

Three models available: SBM 400 SP, SBM 400 LP, and SBM 400 SR.

SBM 400 has extremely low profile, and allows for station drilling in as little as 12 ft (3.6 m) using 3 ft drill rods.

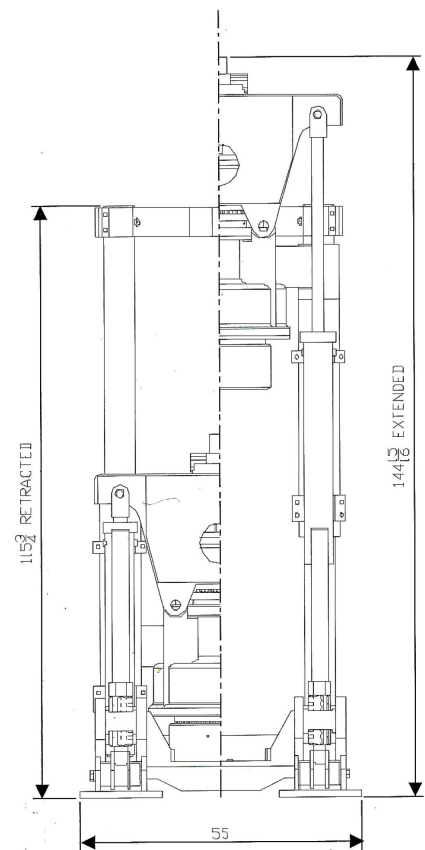


## performance specifications

	SBM 400 LP	SBM 400 SP
nominal diameter capacity.....	6 ft. 1.8 m.	7 ft. 2.1 m.
nominal length capacity.....	1,000 ft. 300 m.	1,500 ft. 457 m.
total installed horsepower.....	150 hp.	200 hp.
pilot rpm.....	0 - 100	0 - 100
reaming thrust.....	384,000 lbs. 1,700 kN	384,000 lbs. 1,700 kN
torque max.....	60,000 ft. lbs. 81.00 kN-m	80,000 ft. lbs. 108.00 kN-m
dip angle adjustment.....	45° - 90°	45° - 90°

## dimensional data

	SBM 400 LP	SBM 400 SP
machine width operating.....	55.0 in. 1,397 mm.	55.0 in. 1,397 mm.
machine height extended.....	131 in. 3,327 mm.	145 in. 3,683 mm.
depth.....	51.0 in. 1,294 mm.	51.0 in. 1,294 mm.
weight.....	11,500 lbs. 5,227 kg.	13,600 lbs. 6,100 kg.
pipe.....	4 ft. x 8 in. 1.219m. x 203mm.	5 ft. x 10 in. 1.524m. x 254mm.



derrick position